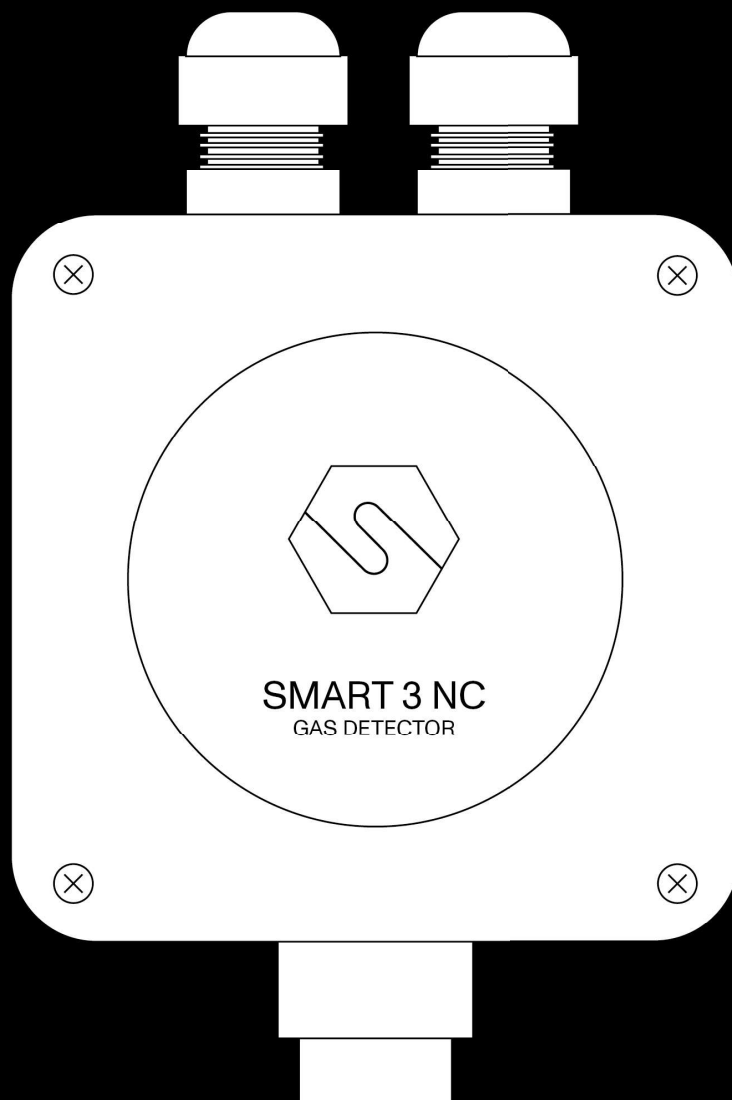


SMART 3 NC

With electrochemical cell



Datasheet





SMART3 NC gas detector is designed to be installed in non-classified area and car parks. The sensing element is placed in an aluminum enclosure. The electrochemical cells employed for the detection of toxic gases allow the measurement of toxic compounds at very small contents. The gas detector has a 12-24 Vdc power supply and a standard 4-20 mA 3-wires output. Optionally, the SMART3 NC can be equipped with serial RS485 communication and a 1 or 3 relays board. The plastic enclosure has dimensions 106 x 160 x 54 mm, on the upper side there're two M20 cable glands.

Sensor	
Application	Car parks, laboratories and non-classified areas
Sensing element	Electrochemical cell
Predicted sensor lifetime	2 / 3 years
Gas detected	CO [0-300 ppm], NO ₂ [0-20 ppm], HCl [0-50ppm]; Cl [0-20ppm], SO ₂ [0-20 ppm]
Electrical data	
Power supply	12-24 Vdc
Output	Analogue 4-20 mA output; 1 or 3 relay board (optional); serial RS485 output (optional)
Absorption	23 mA
Relays contact ratings (on the optional board)	1.0 A at 30 Vdc
Optical indications	-
Acoustic indications	-
Environmental conditions	
Storage temperature	0 / +20°C up to 6 months
Operating temperature	-20 / +55°C
Operating humidity	15 / 90% RH
Compliance	
EMC	EN 61000-6-3:2007 + A1:2011; EN 50270:2015



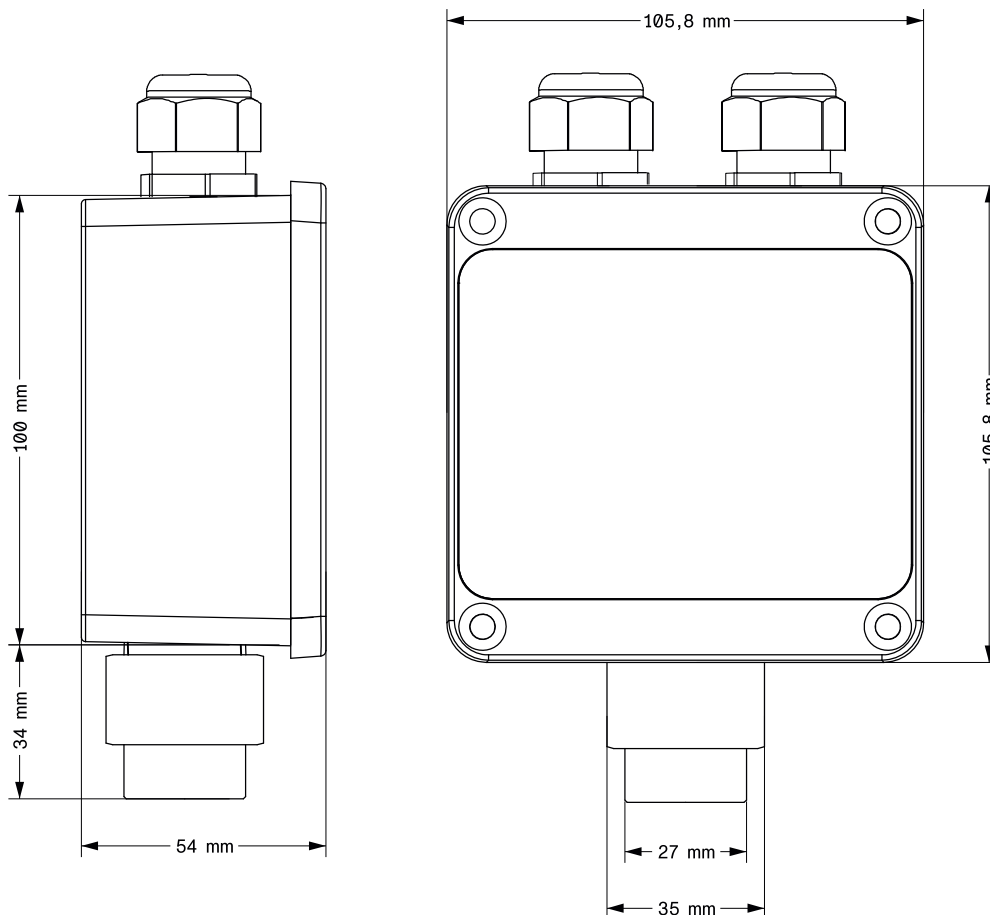
External case

Material	Enclosure: Polycarbonate Sensor head: Aluminum
Dimensions	Box: 100 x 100 x 52 mm Cover: 105.8 x 105.8 x 7.8 mm
Weight	250 g
Cable entries	2 x M20 cable glands
IP grade	IP55

Product codes

S1450CO	CO gas detector 0-300 ppm
S1451ND	NO ₂ gas detector 0-20 ppm
S1423HCL	HCL gas detector 0-50 ppm
S1142CL	Cl gas detector 0-20 ppm
S1138SD	SO ₂ gas detector 0-20 ppm

Mechanical drawings



Distributor/Distributeur: ORNICOM

+32 477 23 76 79
sales@ornicom.com
www.ornicom.com

