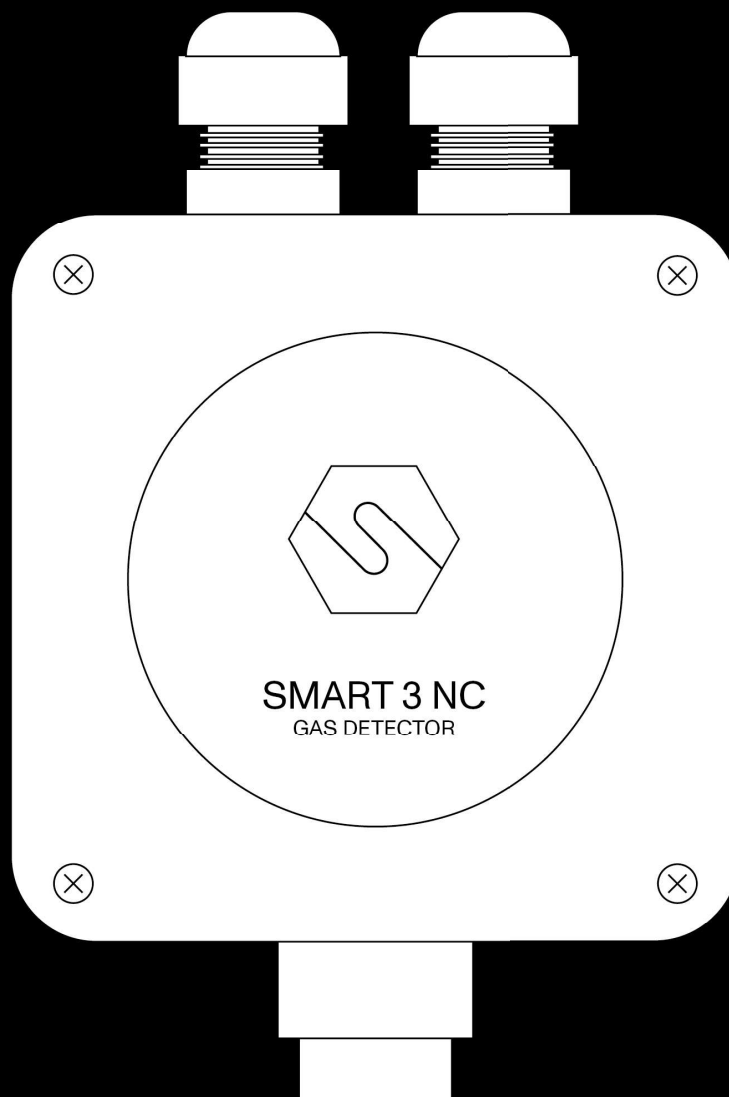


SMART 3 NC

With catalytic sensor



Datasheet





SMART3 NC gas detector is designed to be installed in non-classified area and car parks. The sensing element is placed in an aluminum enclosure. The pellistor sensors employed for the flammable gas detection show an excellent output linearity up to 100% LEL and fast time of response. The gas detector has a 12-24 Vdc power supply and a standard 4-20 mA 3-wires output. Optionally, the SMART3 NC can be equipped with serial RS485 communication and a 1 or 3 relays board. The plastic enclosure has dimensions 106 x 160 x 54 mm, on the upper side there're two M20 cable glands.

Sensor

Application	Car parks, laboratories and non-classified ares
Sensing element	Catalytic
Predicted sensor lifetime	4 / 5 years
Gas detected	Methane, LGP, Petrol vapours
Fullscale	0 - 100% LFL

Electrical data

Power supply	12-24 Vdc
Output	Analogue 4-20 mA output; 1 or 3 relay board (optional); serial RS485 output (optional)
Absorption	33 mA
Relays contact ratings (on the optional board)	1.0 A at 30 Vdc
Optical indications	-
Acoustic indications	-
Hall effect sensor	-

Environmental conditions

Storage temperature	-20 / +60°C
Operating temperature	-20 / +60°C
Operating humidity	0 / 90% RH

Compliance

EMC	EN 61000-6-3:2007 + A1:2011; EN 50270:2015
-----	--



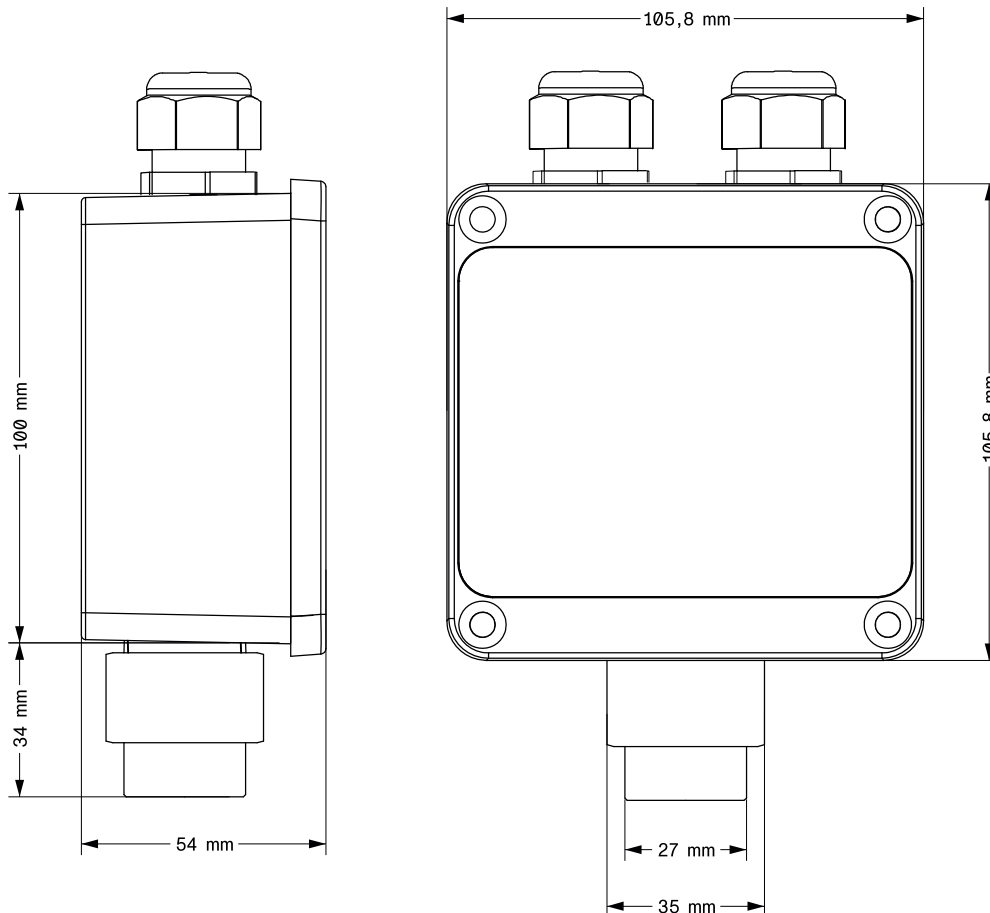
External case

Material	Enclosure: Polycarbonate Sensor head: Aluminum
Dimensions	Box: 100 x 100 x 52 mm Cover: 105.8 x 105.8 x 7.8 mm
Weight	250 g
Cable entries	2 x M20
IP grade	IP55

Product codes

S1455ME	Methane gas detector 0-100 %LFL
S1455VB	Petrol vapours gas detector 0-100 %LFL
S1455GP	LPG gas detector 0-100 %LFL
S1455PR	Propane gas detector 0-100 %LFL

Mechanical drawings



Distributor/Distributeur ORNICOM

+32 477 23 76 79
sales@ornicom.com
www.ornicom.com

